

DRYER

Repair Parts List

MODEL NUMBER

LNC7764A71

When requesting service or ordering parts, always provide the following information:

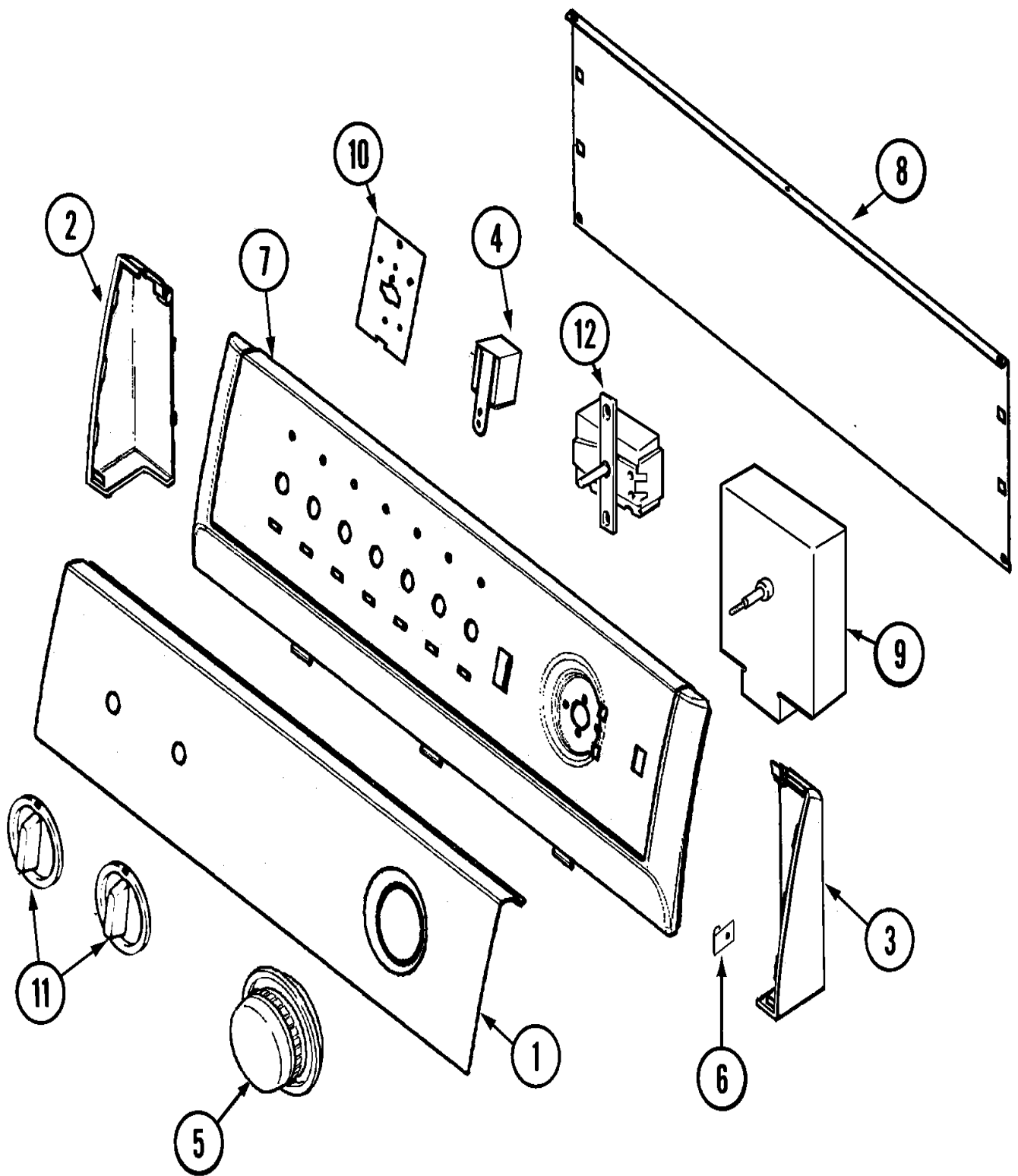
- Product Type
- Part Number
- Model Number
- Part Description

MAYTAG®

©2005 Maytag Services

Section: CONTROL PANEL

Model: LNC7764A71



LD11-92

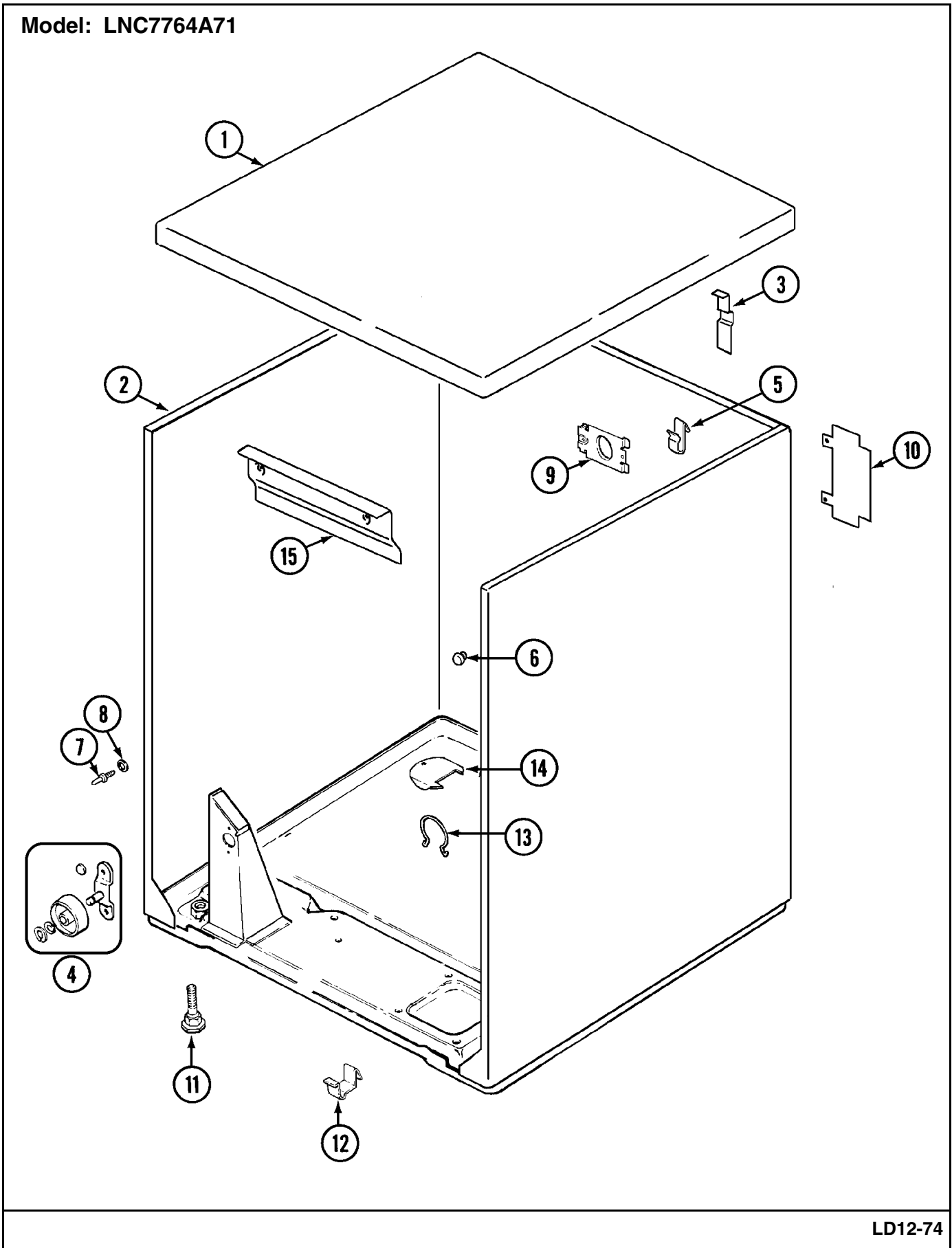
Section: CONTROL PANEL

No.	Part No.	Description	Series	Qty
1	31001394	PANEL, CONTROL Note: PANEL, CONTROL (WHT)	10	1
-	25-3092	SCREW Note: SCREW, ENDCAP	10	2
2	21001546	ENDCAP, PANEL (LT-WHT) Note: ENDCAP, PANEL (WHT-LT)	10	1
-	25-3092	SCREW Note: SCREW, ENDCAP	10	2
3	21001547	ENDCAP, PANEL (RT-WHT) Note: ENDCAP, PANEL (WHT-RT)	10	1
4	31001397	BUZZER	10	1
5	31001388	KNOB/SKIRT, TIMER (WHT) Note: KNOB AND SKIRT ASSY. (WHT)	10	1
6	25-7851	SPEEDCLIP, END CAP TO TOP	10	4
7	21001552	FRAME (WHT), CONTROL PANEL Note: FRAME (WHT)	10	1
-	25-3457	SCREW, SEMS	10	3
8	21001527	SHIELD, REAR (BACK PANEL)	10	1
-	25-3092	SCREW	10	3
9	53-1810	TIMER	10	1
-	63-6743	RESISTOR ASSY.	10	1
10	21001517	SHIELD, CONTROL (1 POS.)	10	2
11	21001544	KNOB, SELECTOR (WHT) Note: KNOB, SELECTOR (WHT)	10	2
12	31001348	SWITCH, TEMPERATURE	10	1
12	31001088	THERMOSTAT, CONTROL	15	1
-	53-4252	MANUAL, USE & CARE	10	1
-	53-4450	HARNESS, WIRING	15	1
-	31001488	HARNESS, WIRE	10	1

*Color Code (-)=Not Shown #=Series, Serial Prefix or Run No., N=Not Available

Section: CABINET

Model: LNC7764A71



LD12-74

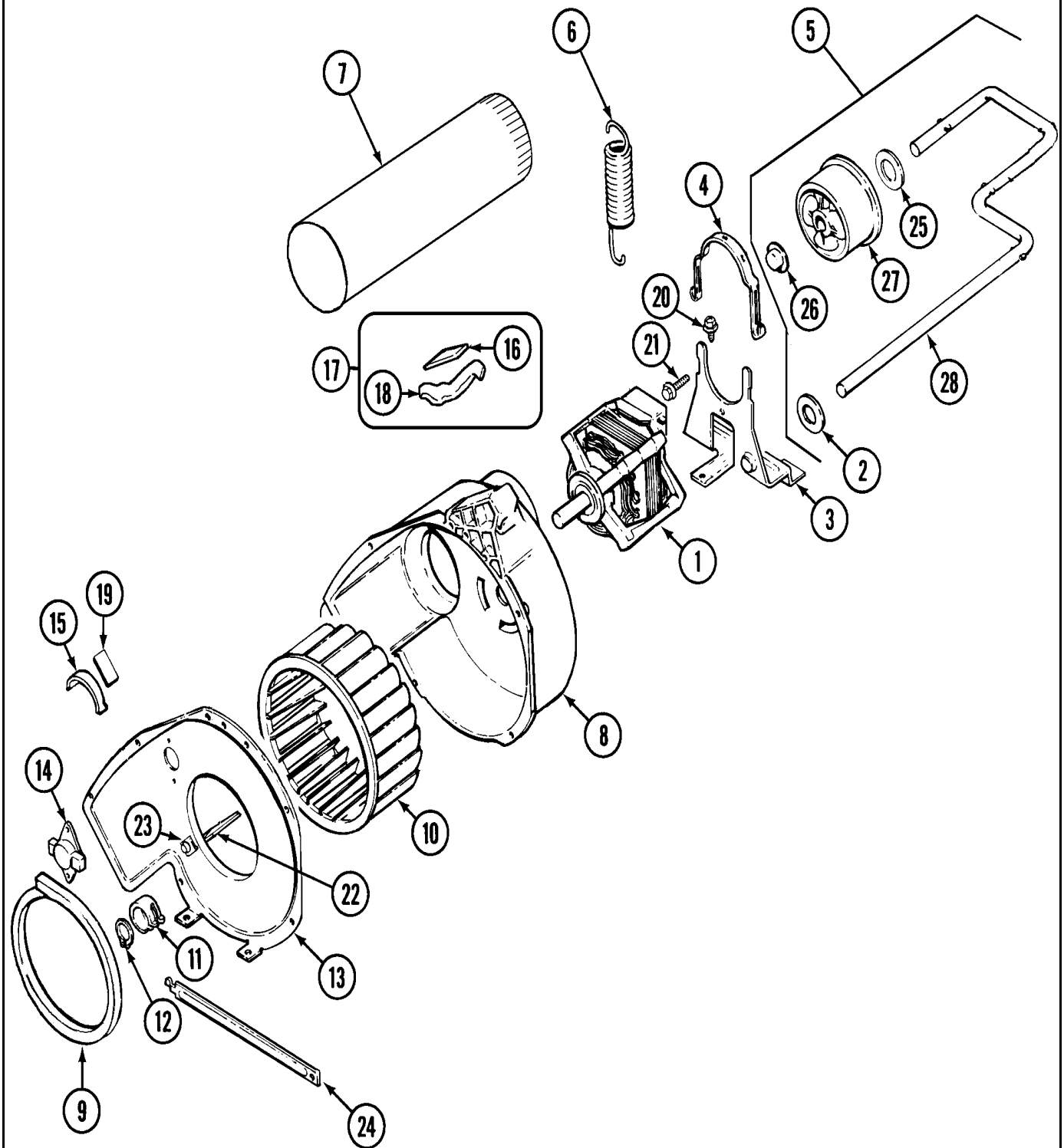
Section: CABINET

No.	Part No.	Description	Series	Qty
1	31001423	TOP, CABINET (WHT)	10	1
2	N 31001714	CABINET & BASE ASM (WHT)	12	1
2	53-2559	CABINET & BASE ASM (WHT) Note: CABINET & BASE ASSEMBLY (WHT)	10	1
-	25-3092	SCREW Note: SCREW, HINGE	10	2
3	63-5712	HINGE, CABINET TOP	10	2
4	LA-1008	RR ROLLER KIT Note: (REAR)	10	1
4	LA-1007	FRONT ROLLER KIT Note: ROLLER KIT (FRT.)	10	1
5	25-3034	CLIP, WIRING	10	3
6	33-2653	BUMPER, CABINET Note: BUMPER, CABINET	10	4
7	53-0643	PIN, LOCATOR	10	2
-	53-0200	SLEEVE, LOCATOR PIN	10	2
8	25-0224	NUT, LOCATOR PIN Note: NUT, LOCATOR PIN	10	2
10	53-0284	COVER, TERMINAL Note: COVER, TERMINAL BLOCK	10	1
-	25-7857	SCREW Note: SCREW, COVER	10	2
11	63-5519	LEG, LEVELING	10	4
12	53-0120	CLIP, FRONT PANEL	10	2
13	25-7027	CLIP, WIRING	10	5
-	25-7741	SCREW Note: SCREW, SHIELD	10	1
14	N 53-1921	SHIELD, WIRING	10	1
-	25-3457	SCREW, SEMS Note: SCREW, SHIELD	10	1
15	N 53-0133	SHIELD, HEAT Note: SHIELD, HEAT	10	1

*Color Code (-)=Not Shown #=Series, Serial Prefix or Run No., N=Not Available

Section: MOTOR & DRIVE

Model: LNC7764A71



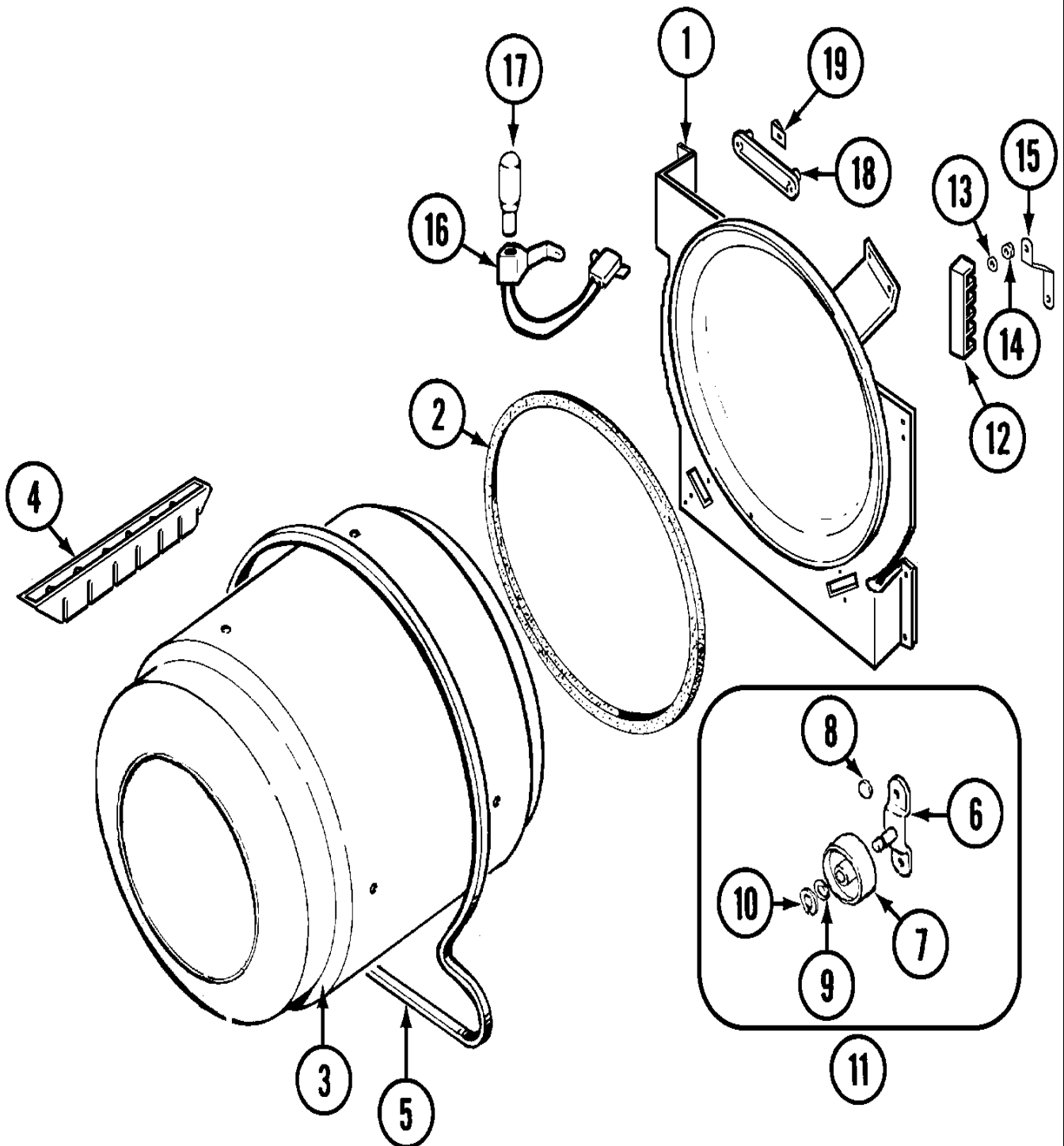
Section: MOTOR & DRIVE

No.	Part No.	Description	Series	Qty
-	53-0932	PULLEY, DRYER MOTOR (60HZ)	10	1
1	31001015	MOTOR & PULLEY ASSY.	10	1
2	25-7815	WASHER	10	1
-	25-7732	SCREW Note: SCREW, BRACKET	10	3
3	53-1932	MOTOR MTG. BRKT. Note: BRACKET, MOTOR	10	1
4	53-0214	CLAMP, MOTOR Note: CLAMP, MOTOR	10	2
5	53-2287	IDLER ASSY. Note: IDLER ASSEMBLY	10	1
6	53-2209	SPRING, IDLER	10	1
7	53-0134	DUCT, EXHAUST	10	1
-	25-2134	SCREW Note: SCREW, EXHAUST DUCT	10	1
8	53-1801	HOUSING, BLOWER Note: HOUSING, BLOWER	10	1
9	53-0203	SEAL, BLOWER HOUSING	10	1
10	31001317	WHEEL, BLOWER (DEEPE)	10	1
11	25-7823	CLAMP Note: CLAMP, BLOWER WHEEL	10	1
12	25-7855	RING, RETAINING	10	1
-	25-7435	SCREW Note: SCREW, COVER	10	9
13	53-1934	COVER, BLOWER HOUSING	10	1
14	31001192	THERMOSTAT, CONTROL	10	1
14	31001088	THERMOSTAT, CONTROL	15	1
-	25-2134	SCREW Note: SCREW, THERMOSTAT	10	4
15	53-2273	GLIDE, TUMBLER (LT) Note: GLIDE, TUMBLER (LT)	10	1
16	53-0724	RH GLD CUSHION Note: CUSHION, TUMBLER GLIDE (RT)	10	1
17	LA-1006	GLIDE KIT, TUMBLER Note: TUMBLER GLIDE KIT (INCL. ITEM # 16 & 18)	10	1
18	53-2272	GLIDE, TUMBLER (RT)	10	1
19	53-1684	CUSHION, TUMBLER GLIDE Note: CUSHION, TUMBLER GLIDE (LT)	10	1
20	25-7963	SCREW Note: SCREW, GROUND WIRE (BRKT.)	10	1
21	N 25-7674	SCREW Note: SCREW, GROUND WIRE (MTR.)	10	1
22	53-1026	GUIDE, VANE INLET	10	1
23	25-3457	SCREW, SEMS Note: SCREW, INLET GUIDE	10	1
24	53-1625	BRACE, TUMBLER SUPPORT Note: BRACE, TUMBLER SUPPORT	10	1
25	25-7815	WASHER Note: WASHER, IDLER ARM	10	1
26	25-7957	PUSHNUT Note: PUSHNUT, PULLEY	10	1
27	53-1628	PULLEY, IDLER	10	1
28	53-2250	ARM, IDLER	10	1

*Color Code (-)=Not Shown #=Series, Serial Prefix or Run No., N=Not Available

Section: TUMBLER

Model: LNC7764A71



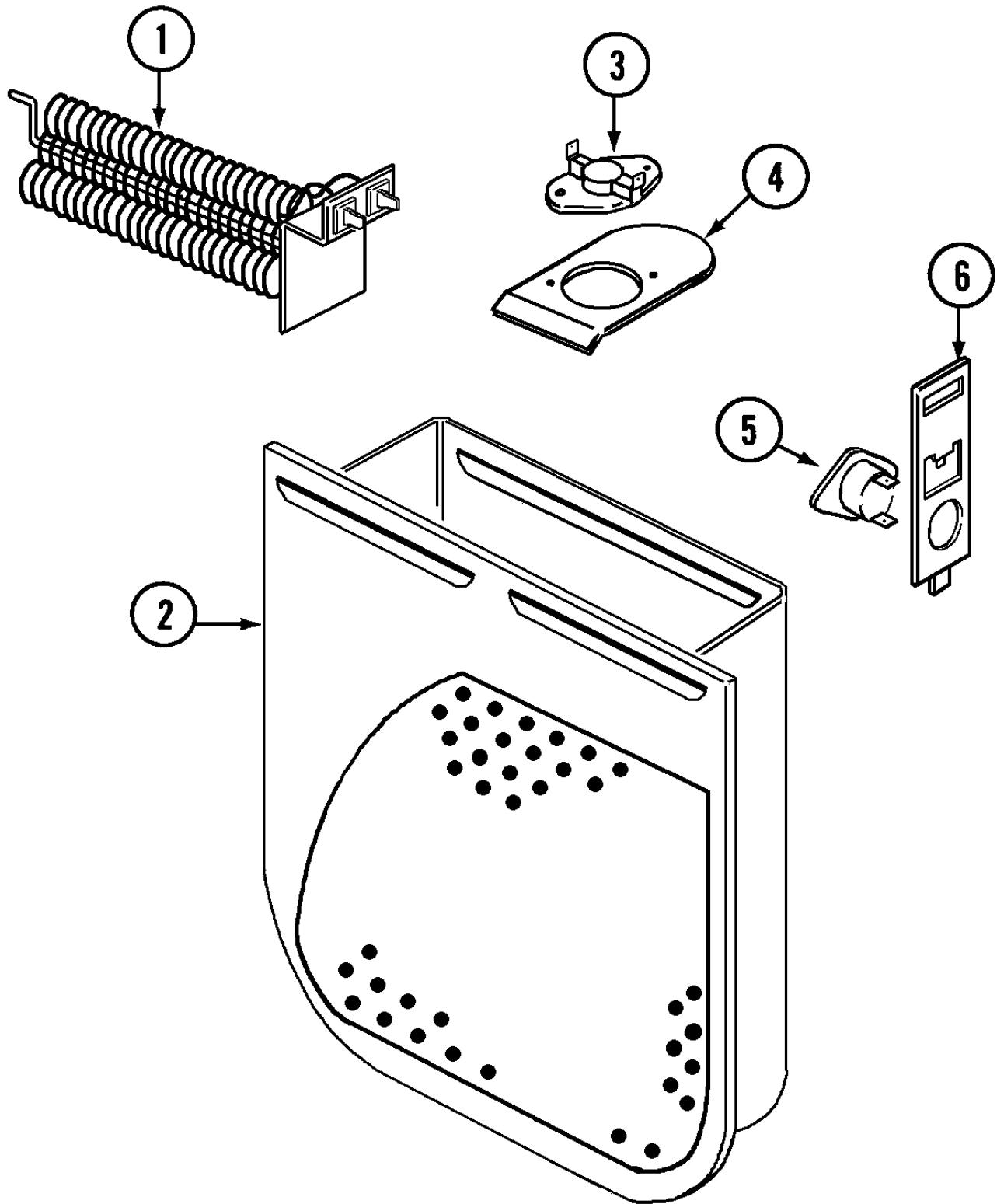
Section: TUMBLER

No.	Part No.	Description	Series	Qty
1	LA-1054	DRYER BULKHEAD KIT Note: BULKHEAD	10	1
-	25-7733	SCREW Note: SCREW, BULKHEAD	10	8
2	53-0281	SEAL ASSY (WHITE) Note: SEAL, TUMBLER (REAR)	10	1
3	53-1250	CYLINDER (W/BAFFLE) Note: TUMBLER ASSY. (W/BAFFLES)	10	1
- N	25-7759	SCREW Note: SCREW, BAFFLE	10	12
4	02100002	BAFFLE (WHT)	10	3
5	31531589	BELT, CYLINDER Note: BELT, TUMBLER	10	1
6	53-0197	SUPPORT ASSY.-CYLINDER REAR Note: SUPPORT ASSEMBLY (REAR)	10	2
-	25-7101	SCREW Note: SCREW, SUPPORT ASSEMBLY	10	4
7	31001096	ROLLER (REAR) Note: ROLLER, TUMBLER (REAR)	10	2
8	25-7813	SPACER Note: SPACER, ROLLER	10	2
9	25-7814	WASHER Note: WASHER, ROLLER	10	2
10	25-7854	RING, RETAINING Note: RING, RETAINER	10	2
11	LA-1008	RR ROLLER KIT Note: ROLLER KIT (REAR)	10	1
-	25-7952	SCREW Note: SCREW, TERMINAL BLOCK	10	2
12	53-1518	BLOCK, TERMINAL	10	1
13	25-3122	WASHER, FLAT Note: WASHER, FLAT	10	7
14	25-7808	NUT (#10-24) Note: NUT (#10-24)	10	1
14	25-0027	NUT (#10-32) Note: NUT (#10-32)	10	6
15 N	53-0965	STRAP, GROUND Note: STRAP, GROUND	10	1
-	25-3457	SCREW, SEMS	10	2
16	53-1580	RECEPTACLE ASSY	10	1
17	53-0570	CYL LIGHT BULB	10	1
18	53-0174	LENS, BULB	10	1
19	25-3562	CLIP, PUSH-ON	10	2

*Color Code (-)=Not Shown #=Series, Serial Prefix or Run No., N=Not Available

Section: HEATER

Model: LNC7764A71



LD15-10

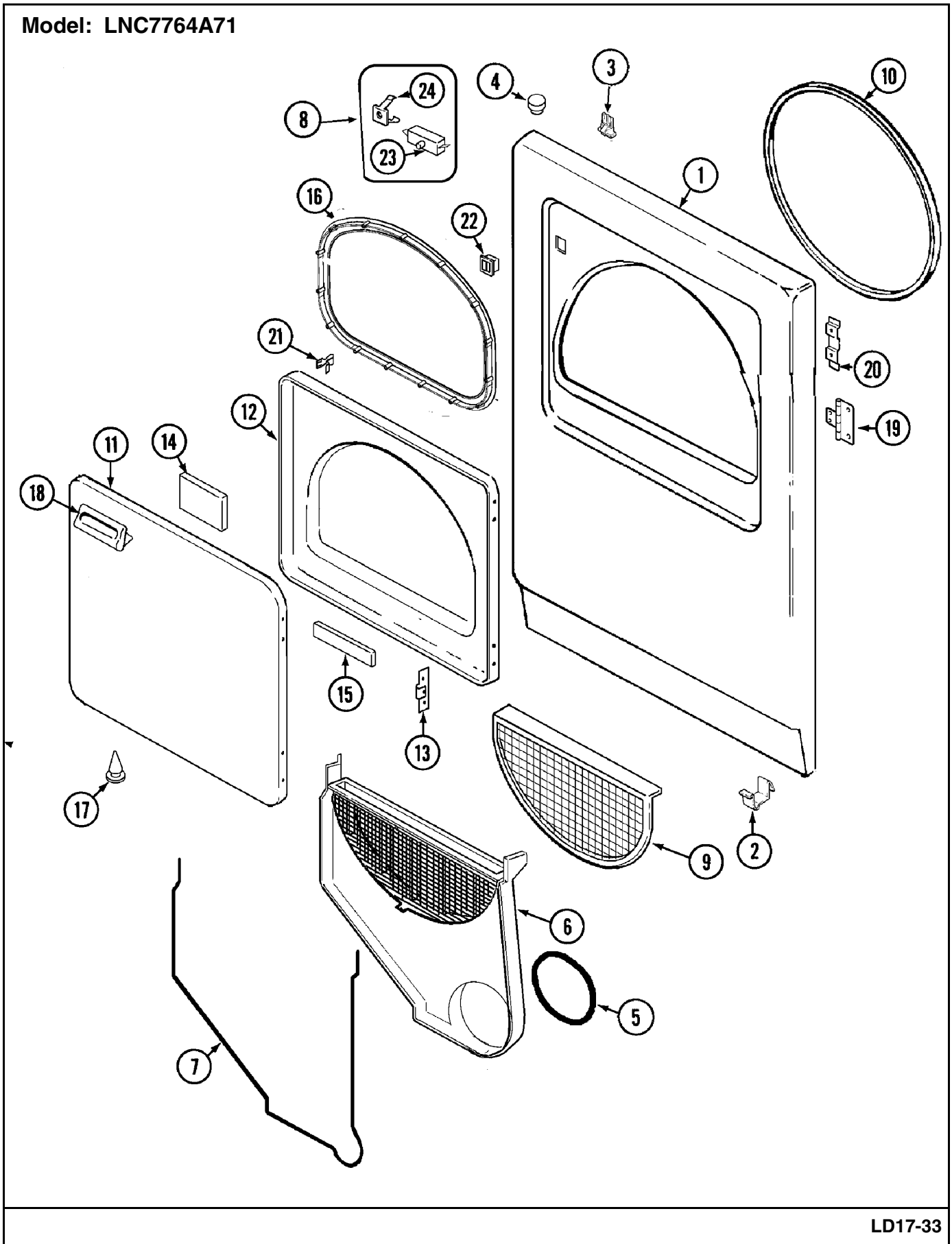
Section: HEATER

No.	Part No.	Description	Series	Qty
-	25-7863	SCREW Note: SCREW, ELEMENT	10	1
1	53-1641	ELEMENT, HEATER	10	1
2	53-1232	HEATER HOUSING ASSEMBLY Note: HEATER HOUSING ASSEMBLY	10	1
-	25-3083	SCREW Note: SCREW, THERMOSTAT	10	2
3	53-0771	THERMOSTAT, HI-LIMIT	10	1
-	25-7741	SCREW Note: SCREW, BRACKET	10	1
4	53-0285	BRACKET, THERMOSTAT	10	1
5	LA-1053	FUSE KIT, THERMAL	10	1
6	53-1181	BRACKET, THERMAL FUSE	10	1

*Color Code (-)=Not Shown #=Series, Serial Prefix or Run No., N=Not Available

Section: DOOR (SERIES 11)

Model: LNC7764A71



LD17-33

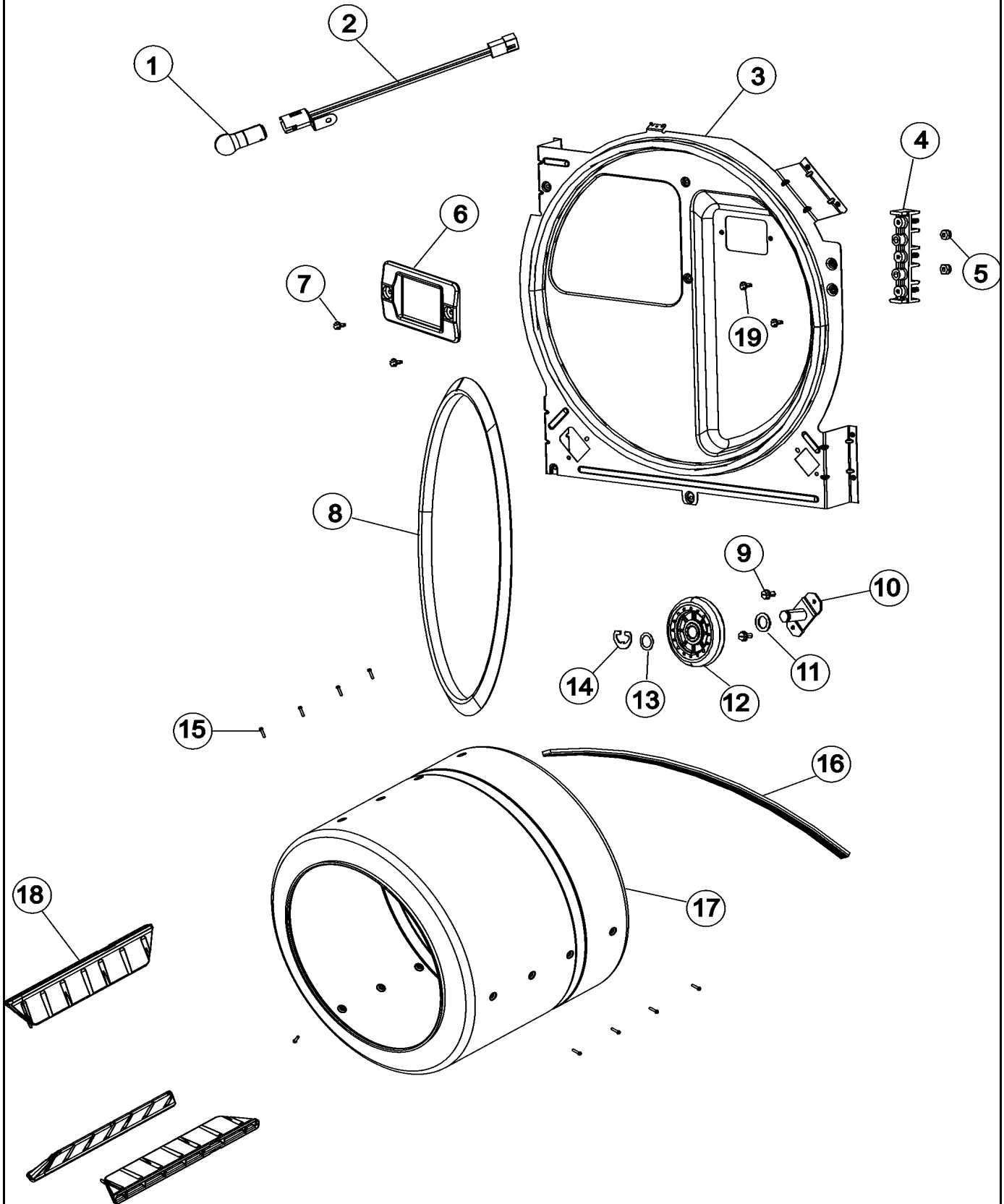
Section: DOOR (SERIES 11)

No.	Part No.	Description	Series	Qty
1	53-0726	PANEL, FRONT (WHT)	11	1
2	53-0120	CLIP, FRONT PANEL	11	2
3	31001526	LOCK, TOP	11	1
4	33-2653	BUMPER, CABINET	11	4
5	53-0203	SEAL, BLOWER HOUSING	11	1
-	25-7810	SCREW 8-18X1/2 TRUSS H	11	2
6	12001324	DUCT KIT, COLLECTOR	11	1
7	53-0204	SEAL	11	1
8	-----	NOT REQUIRED PART OR SEE NOTE	14	0
8	LA-1005	SWITCH KIT (INCL. 23 & 24)	11	1
9	53-0918	FILTER, LINT	11	1
10	53-0281	SEAL ASSY (WHITE)	11	1
11	53-0154	PANEL, OUTER DOOR (WHT)	11	1
-	25-7770	SCREW, OUTER TO INNER DOOR	11	4
12	53-0912	PANEL, INNER DOOR (WHT)	11	1
13	53-0119	CLIP, HINGE	11	2
14	53-1490	DOOR PAD	11	1
15	53-1491	DOOR PAD	11	2
16	53-0648	DOOR SEAL	11	1
17	25-7889	PLUG BUTTON	11	1
-	25-7810	SCREW 8-18X1/2 TRUSS H	11	2
18	53-0927	HANDLE, DOOR (WHT)	11	1
19	53-1492	HINGE, DRYER DOOR	11	2
-	25-7809	SCREW, #6-20 1/2 FLTHD TORX	11	4
20	53-0121	TWIN NUT	11	2
21	53-2364	STRIKE, DOOR	11	1
22	53-0187	CATCH, DOOR	11	1
23	53-0148	SWITCH, DOOR	11	1
23	31001732	SWITCH, DOOR	14	1
24	31001319	CLIP, SWITCH	11	1
24	31001733	CLIP, SWITCH	14	1

*Color Code (-)=Not Shown #=Series, Serial Prefix or Run No., N=Not Available

Section: TUMBLER (SERIES 12)

Model: LNC7764A71



LD13-61

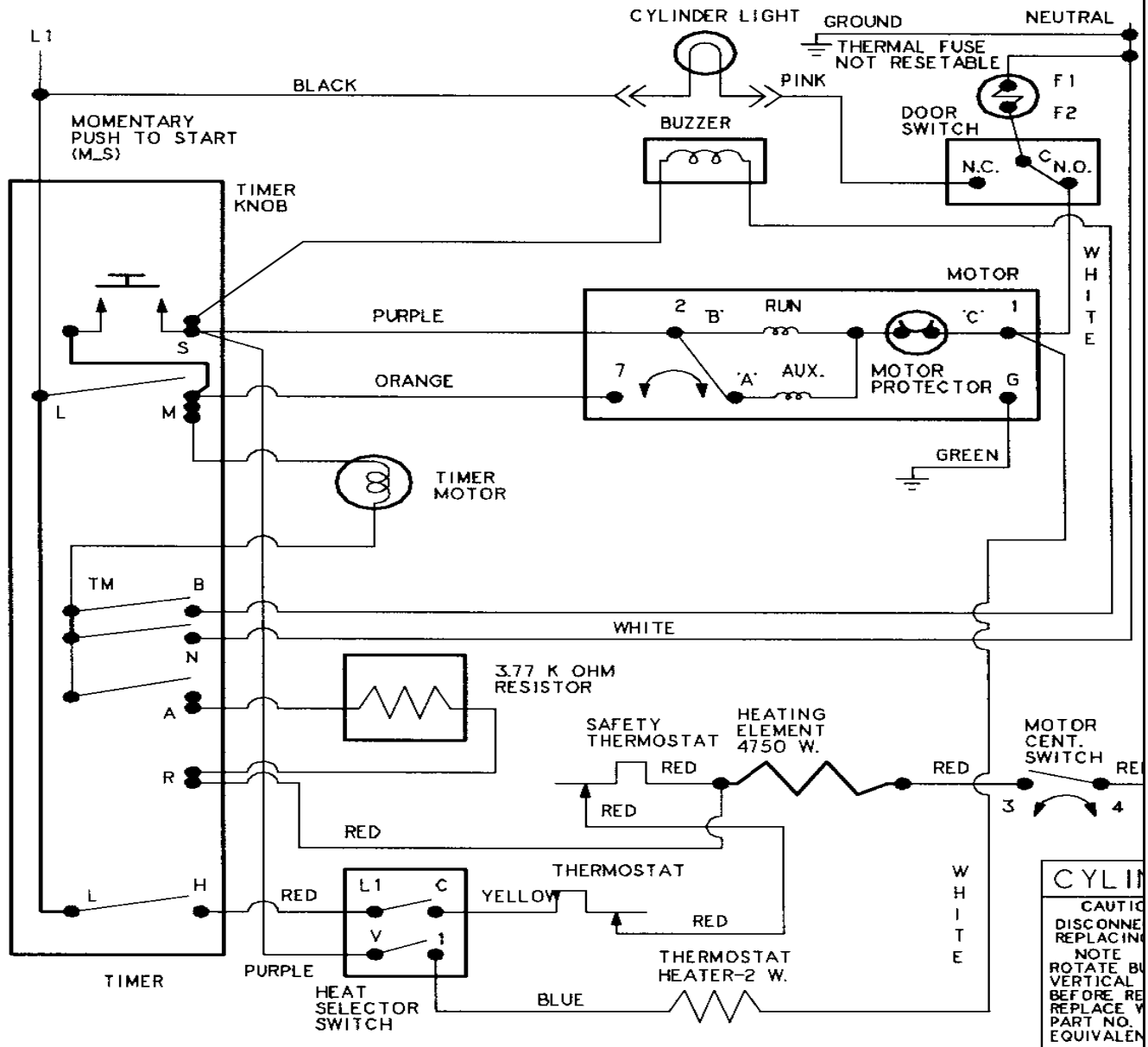
Section: TUMBLER (SERIES 12)

No.	Part No.	Description	Series	Qty
1	31001575	BULB, CYLINDER LIGHT	12	1
2	31001579	RECEPTACLE ASM, CLYINDER LIGHT	12	1
3	31001581	BULKHEAD WITH SEAL	12	1
4	53-1518	BLOCK, TERMINAL	12	1
5	25-3122	WASHER, FLAT	12	2
5	25-0027	NUT (#10-32)	12	2
6	31001585	LENS, CYLINDER LIGHT	12	1
7	31001580	SCREW, 6-32 HEX WASHER HEAD	12	2
8	31001548	SEAL ASSEMBLY (REAR)	12	1
9	25-7101	SCREW	12	4
10	53-0197	SUPPORT ASSY.-CYLINDER REAR	12	2
11	31001583	SPACER, ROLLER	12	2
12	31001096	ROLLER (REAR)	12	2
13	25-7814	WASHER	12	2
14	25-7854	RING, RETAINING	12	2
15	N 25-7759	SCREW	12	12
16	31531589	BELT, CYLINDER	12	1
17	53-1250	CYLINDER (W/BAFFLE)	12	1
18	53-1249	BAFFLE, WHITE	12	3
19	25-7952	SCREW	12	2

*Color Code (-)=Not Shown #=Series, Serial Prefix or Run No., N=Not Available

Section: WIRING INFORMATION (SERIES 15 ELEC)

Model: LNC7764A71



CONNECT DRYER TO 120/240 V.A.C.60 HZ. INDIVIDUAL BRANCH CIRCUIT PROTECTED BY MAXIMUM 30 A. FUSES. ALWAYS GIVE THE SERIAL & MODEL NUMBERS WHEN WRITING ABOUT THIS DRYER OR ORDERING PARTS

TIMER SEQUENCE					HEAT SELECTOR SWITCH			
TIMER-ROTATES 1.6 PER MINUTE					POSITION	CONTACTS		
	OFF	AUTO	OFF	OFF	FLUFF			
	REGULAR	REGULAR	AUTO PERM.	TIMED DRY	LOW	V-1, L1-C		
TM-B					REGULAR	L1-C		
L-H	[Progressive bar chart for L-H showing duration across timer settings]							
TM-A	[Progressive bar chart for TM-A showing duration across timer settings]							
TM-N	[Progressive bar chart for TM-N showing duration across timer settings]							
L-M	[Progressive bar chart for L-M showing duration across timer settings]							
M-S	[Progressive bar chart for M-S showing duration across timer settings]							
MINUTES					MOTOR WIRING CODE			
0	22	31	28	53	MOTOR	A	B	C
				0	EMERSON	RED	YELLOW	BLUE
				20				

Section: WIRING INFORMATION (SERIES 15 ELEC)

No.	Part No.	Description	Series Qty
-	N 15003587	WIRING INFORMATION	15 1

*Color Code (-)=Not Shown #=Series, Serial Prefix or Run No., N=Not Available

